

Accessory

HYPRO SERIES

Pulsation Dampener

3375-0015-2
Thru 3375-0015-10
3375-0017-2
Thru 3375-0017-10

Form L-0229
8/05

- ASSURES SMOOTH DISCHARGE FROM PISTON AND PLUNGER PUMPS
- REDUCES PEAK LOADING ON PUMP BEARINGS AND OTHER INTERNAL PARTS
- EXTENDS SYSTEM LIFE
- MINIMIZES MAINTENANCE COSTS

SPECIFICATIONS

Standard Dampeners, 3375-0015-2 and 3375-0017-2, are **PRECHARGED AT THE FACTORY WITH DRY NITROGEN AT 200 PSI.** Precharges are available by request in 100 psi increments from 200 psi to 1000 psi. (Note: The last digit of the model number represents the amount of precharge psi, e.g. 3375-0015-3 represents 300 psi.)

BAFFLE PLUG - Glass-filled nylon

BOLTS - High strength 7/16" socket head

BODY AND COVER - Ductile iron for extra strength. Epoxy coated inside and out for corrosion protection.

CHECK VALVE BODY - Brass, with a special high pressure valve core. Threaded to fit standard dry nitrogen filling equipment.

DIAPHRAGM - Heavy duty Buna-N suitable for use with detergents and water to 140° F (60° C.); and other chemicals not harmful to Buna-N.

| Model | Mounting Port | Capacity | Weight |
|----------------------------------|---------------|--|----------------------|
| 3375-0015-2 Thru 3375-0015-10 | 1" NPT (F) | 30 cubic inches (490 cm ³) | 12 lbs. (5.45 kg) |
| 3375-0017-2 Thru 3375-0017-10 | 1/2" NPT (F) | 7.4 cubic inches (121 cm ³) | 5 lbs. (2.27 kg) |



Model 3375-0015-2



Model 3375-0017-2



Part No. 2642-0001
Pulsation Dampener
Pressure Checker

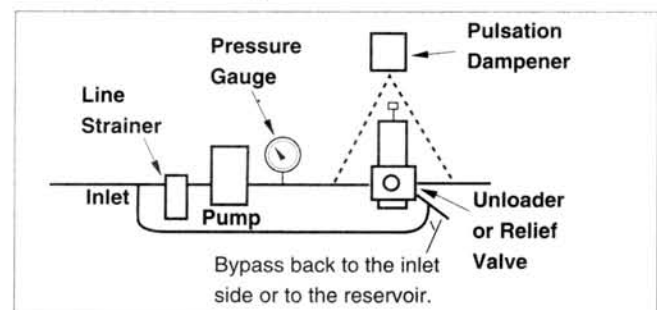
OPERATION GUIDELINES

As a general guideline, when using two cylinder or four cylinder piston pumps, the dampener charge should be approximately 1/2 of the pump operating pressure. When using a three or six cylinder pump, the dampener charge should be approximately 2/3 of the pump operating pressure. These dampeners are rated for pump operating pressures of up to 1500 psi.

When using the standard charged 200 psi dampener, and your system is working at a pressure lower than 400 psi, release small amounts of nitrogen from the dampener until pulsation is at a minimum. When releasing nitrogen, stop the pump and use caution to prevent releasing too much. If you release too much, simply add nitrogen until the dampener is back up to the proper charge. If the operating pressure is higher than 500 psi, add the required charge of dry nitrogen until pulsation is at a minimum. Maximum dampener charge is approximately 1000 psi.

RECOMMENDED INSTALLATION

For the proper operation of many unloader valves, the pulsation dampener should be installed on the discharge side downstream from the unloader valve. However, for maximum system protection, the pulsation dampener may be installed upstream from the unloader valve, provided the unloader valve will function properly. The dampener can be mounted vertically or horizontally.



REPAIR INSTRUCTIONS

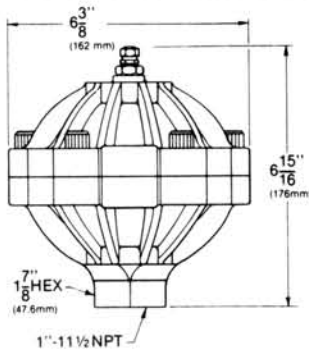
CAUTION! Always release nitrogen pressure before disassembling dampener.

1. Remove valve cap and depress valve core stem to release nitrogen pressure.
2. Clamp dampener in vise by port at bottom of body. Turn socket head bolts counter-clockwise to remove the cover.
3. To remove the valve core, use a standard automotive valve core extractor. Replace if damaged or worn. **NOTE: The valve core is a special 2000 psi (13800 kPa) high pressure type. A conventional automotive tire core is not suitable**

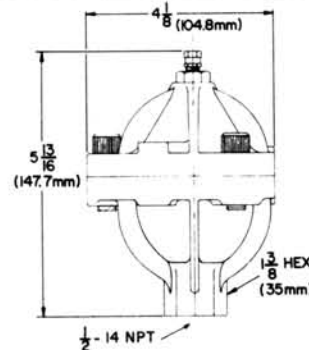
for use with this dampener. The entire check valve assembly may be removed by taking off the lock nut and loosening the valve core housing with a 5/8" socket wrench from inside the cover.

4. Remove diaphragm and baffle plug. Inspect and replace as necessary.
5. Replace cover, tighten socket head bolts to 90-95 foot pounds of torque.
6. Recharge dampener. Check flanges and valve core for leakage. Leaks may be detected by applying soapy water with a brush. Watch for air bubbles.

DIMENSIONS



Model 3375-0015

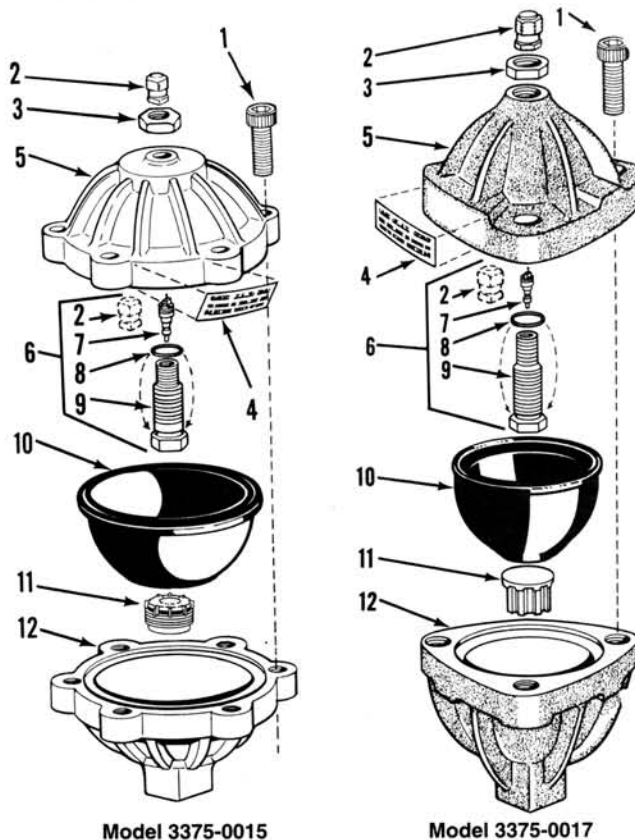


Model 3375-0017

PARTS LIST MODEL 3375-0015, -0017

| Ref. No. | Part Number | Description |
|----------|-------------|--|
| 1 | 2220-0037 | Socket Head Bolts (6), Model 3375-0015 |
| 1 | 2220-0033 | Socket Head Bolts (3), Model 3375-0017 |
| 2 | | Valve Cap |
| 3 | 2250-0025 | Lock Nut |
| 4 | 6031-0308 | Decal, Model 3375-0015 |
| 4 | 6031-0308 | Decal, Model 3375-0017 |
| 5 | 0201-3375D | Cover, Model 3375-0015 |
| 5 | 0202-3375D | Cover, Model 3375-0017 |
| 6 | 3320-0017 | Check Valve Assembly: Consists of Valve Cap No. 2253-0004, Valve Core No. 2404-0106, O-ring No. 1720-0109, and Check Valve Body No. 3200-0041. |
| 7 | | Valve Core |
| 8 | | O-ring |
| 9 | | Check Valve Body |
| 10 | 2535-0008 | Diaphragm (Buna-N), Model 3375-0015 |
| 10 | 2535-0003 | Diaphragm (Buna-N), Model 3375-0017 |
| 11 | 2404-0251 | Baffle Plug, Model 3375-0015 |
| 11 | 2404-0257 | Baffle Plug, Model 3375-0017 |
| 12 | 0103-3375D | Body, Model 3375-0015 |
| 12 | 0102-3375D2 | Body, Model 3375-0017 |

PARTS DRAWING MODEL 3375-0015, -0017



Model 3375-0015

Model 3375-0017



HYPRO®

Pentair Water

375 Fifth Avenue NW • New Brighton, MN 55112
Phone: (651) 766-6300 • 800-424-9776 • Fax: 800-323-6496
www.hypropumps.com