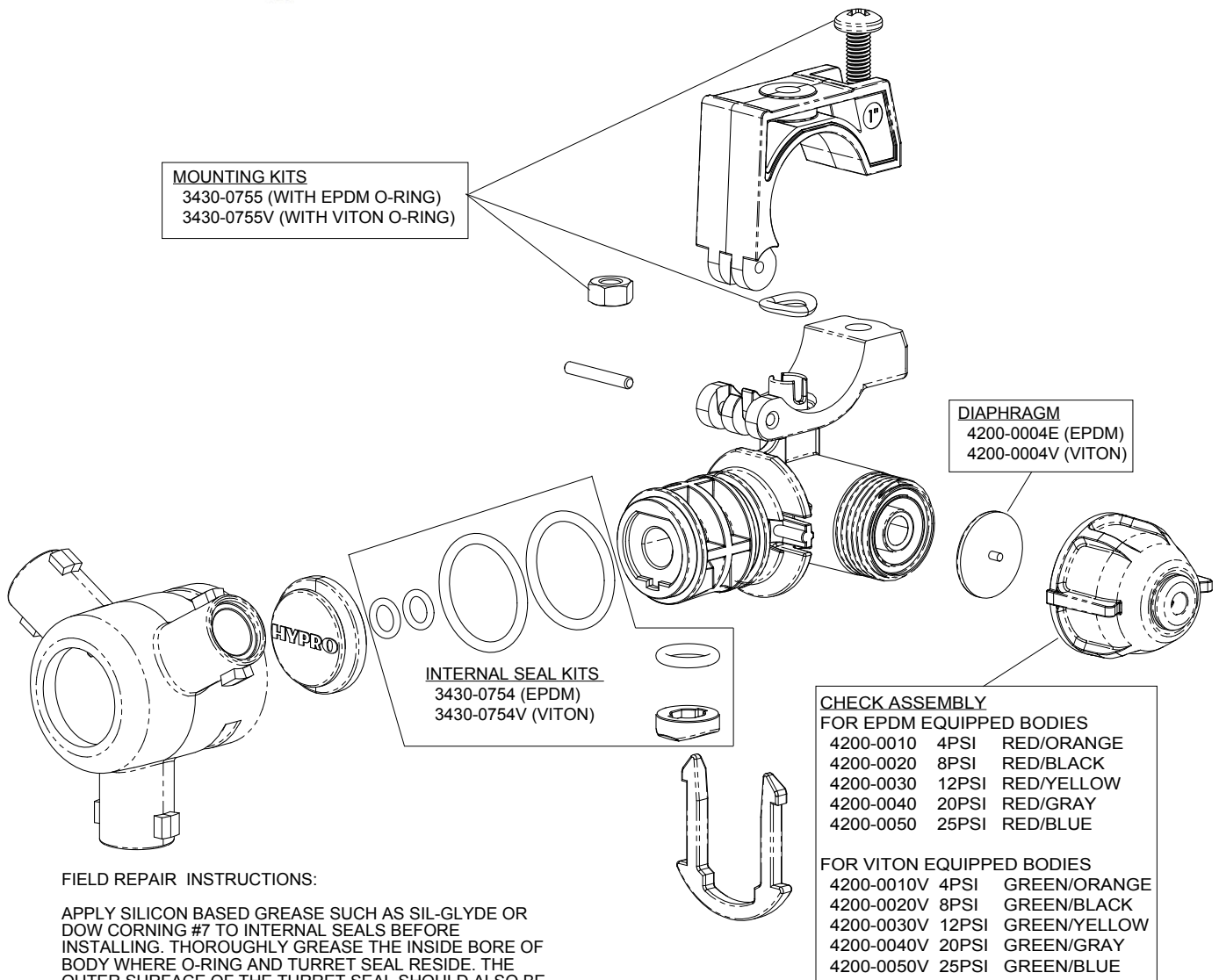




ProFlo™ Nozzle Body Repair Kits

Maintain Superior Performance



FIELD REPAIR INSTRUCTIONS:

APPLY SILICON BASED GREASE SUCH AS SIL-GLYDE OR DOW CORNING #7 TO INTERNAL SEALS BEFORE INSTALLING. THOROUGHLY GREASE THE INSIDE BORE OF BODY WHERE O-RING AND TURRET SEAL RESIDE. THE OUTER SURFACE OF THE TURRET SEAL SHOULD ALSO BE BRUSHED WITH A LAYER OF SILICON GREASE.