



HYPRO®

SPRAY PRODUCTS

Sudden Impact® *High Impact Car Wash Nozzles*



FEATURES & BENEFITS:

- Provides a high impact, controlled rotation 0° water stream with much greater impact and cleaning efficiency than other nozzles which reduces wash time & increases thru-put
- Lasts up to five times longer than other rotating nozzles on the market reducing operating costs over the life of the car wash
- Improved cleaning efficiency over other rotating nozzles reduces water consumption by up to 25%
- Tungsten carbide seat and nozzle provide unmatched wear and shatter resistance over ceramic material commonly utilized in other nozzles
- High strength, forged housing available in economical brass or corrosion-resistant 304 stainless steel
- Elastomer cover protects vehicles and nozzles
- Precision-machined bearing in rotor offers very high wear resistance and optimal impact
- Available with 24° pattern for maximum impact or 30° pattern for extra coverage

NEW!

- BSP-style connection available in 24° brass (sizes 2.0, 3.5, 4.5) for use in Mark VII® washes



The Sudden Impact series of rotating nozzles were designed and developed specifically for the car wash market.



Achieve optimal cleaning efficiency and unmatched durability during each wash with Sudden Impact rotating nozzles.

Nozzle Specifications

Series	Pressure*	Ideal Impact Distance	Material	Angle	Temperature
TUR324B-x.x	1750	20"-30"	Brass	24°	180° F
TUR324S-x.x	3000	20"-30"	Stainless	24°	180° F
TUR330B-x.x	1300	15"-25"	Brass	30°	180° F
TUR330S-x.x	3000	15"-25"	Stainless	30°	180° F

*See rate chart below for specific information

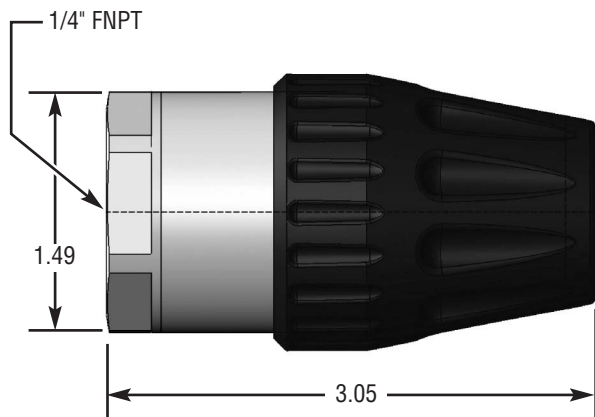
Spray Nozzle Size	Flow rate, US GPM at Pressure, PSI										
	800	900	1000	1100	1200	1500	2000	2250	2500	2750	3000
2.0	0.89	0.95	1.00	1.05	1.10	1.22	1.41	1.50	1.58	1.66	1.73
3.0	1.34	1.42	1.50	1.57	1.64	1.84	2.12	2.25	2.37	2.49	2.60
3.5	1.57	1.66	1.75	1.84	1.92	2.14	2.47	2.63	2.77	2.90	3.03
4.0	1.79	1.90	2.00	2.10	2.19	2.45	2.83	3.00	3.16	3.32	3.46
4.5	2.01	2.13	2.25	2.36	2.46	2.76	3.18	3.38	3.56	3.73	3.90
5.0	2.24	2.37	2.50	2.62	2.74	3.06	3.54	3.75	3.95	4.15	4.33
5.5	2.46	2.61	2.75	2.88	3.01	3.37	3.89	4.13	4.35	4.56	4.76
6.0	2.68	2.85	3.00	3.15	3.29	3.67	4.24	4.50	4.74	4.97	5.20

Sample Part Number

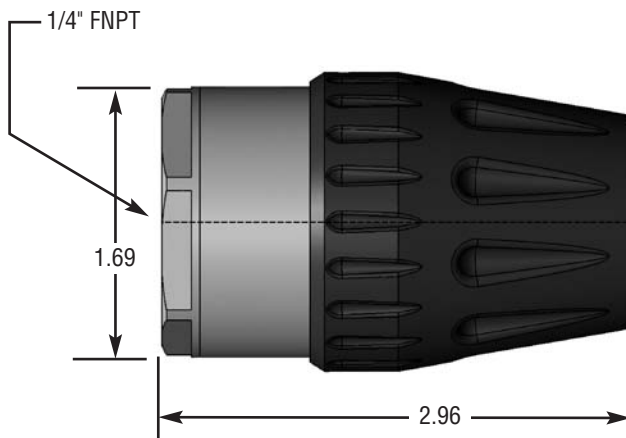
TUR	3	24	B	-	2.0
Model	Size	Angle	Material	Dash	Nozzle Number
Turbo (NPT)	3	24° or 30°	"B" Brass or "S" Stainless	-	2.0, 3.0, 3.5, 4.0, 4.5, 5.0, 5.5, 6.0
Turbo (BSP) for Mark VII® Washes*	3	24°	"B" Brass	-	2.0, 3.5, 4.5,

*BSP models - Add Suffix "BSP" - (i.e.: TUR324B-2.0BSP)

324



330



Pentair

SPRAY & INJECTION TECHNOLOGIES GROUP

375 Fifth Avenue NW • New Brighton, MN 55112
 Phone: (651) 766-6300 • 800-424-9776 • Fax: 800-323-6496
www.hypropumps.com