



# HYPRO®

SPRAY PRODUCTS

## PROstop™ Nozzle Body Valve

*Fast and Positive Spray Activation*



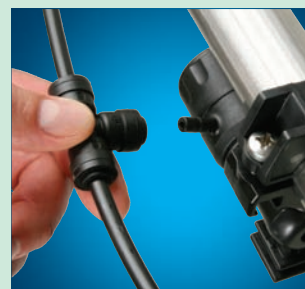
Part No. PS3/4F-PN

### FEATURES & BENEFITS:

- Rapidly and accurately start and stop nozzle flow using a self-propelled sprayer's existing on-board air
- Fail-safe operation with a normally closed, pressurize-to-spray control and positive shut-off for transport and storage
- Operate using as low as 40 psi (3 bar) pneumatic signal to control sprays at pressures up to 150 psi (10 bar)
- Air inlet is compatible with convenient push-connect fittings and economical polyethylene or polypropylene tube
- Durable and chemically-resistant construction with polypropylene body, PVDF plunger, stainless steel springs and EPDM seals
- Connect several together on one air circuit for boom section control or use in small groups to reduce overlap on headlands
- 100% factory-tested



*The Hypro PROstop valve provides flow control on the nozzle body for fast spray activation and positive shut-off.*



*Compatibility with standard push-connect fittings and poly tubing simplifies installation.*

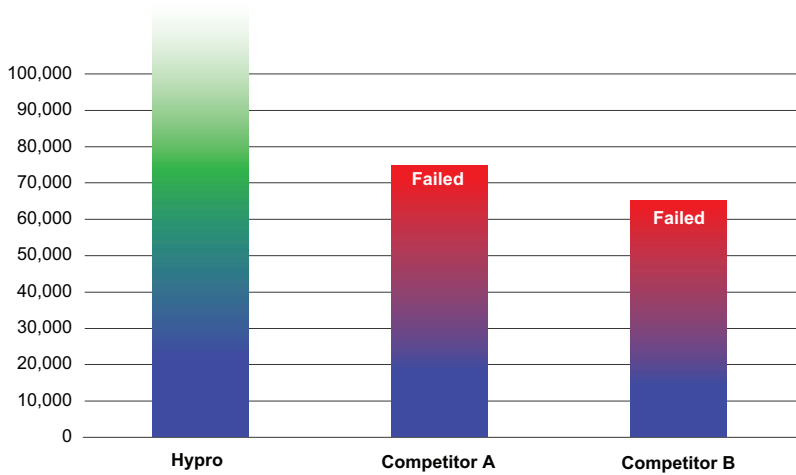
# PROstop™ Nozzle Body Valve

## SPECIFICATIONS

### Endurance

Life cycle tests demonstrate PROstop to be the superior valve with 54% longer life and trouble-free performance.

Life Test to 100,000 Cycles

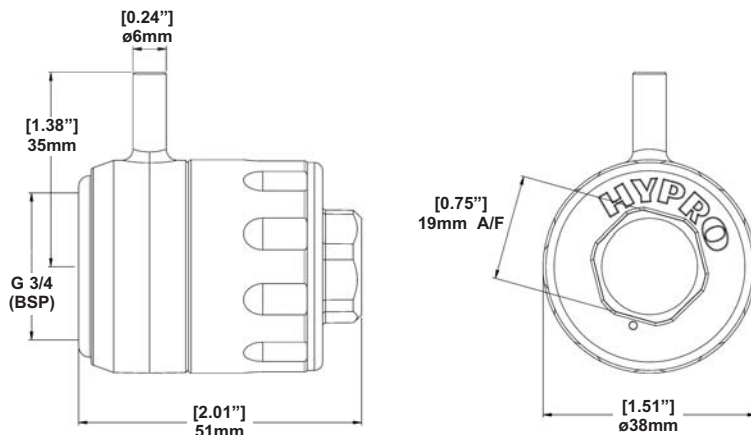


### Versatility

PROstop valves easily adapt directly to your ProFlo™ single drop, 3-way or 5-way nozzle bodies. PROstop valve must be ordered separately (reference part #PS3/4F-PN)



### Dimensional Drawing



**Pentair**

**SPRAY & INJECTION TECHNOLOGIES GROUP**

375 Fifth Avenue NW • New Brighton, MN 55112

Phone: (651) 766-6300 • 800-424-9776 • Fax: 800-323-6496

[www.hypropumps.com](http://www.hypropumps.com)