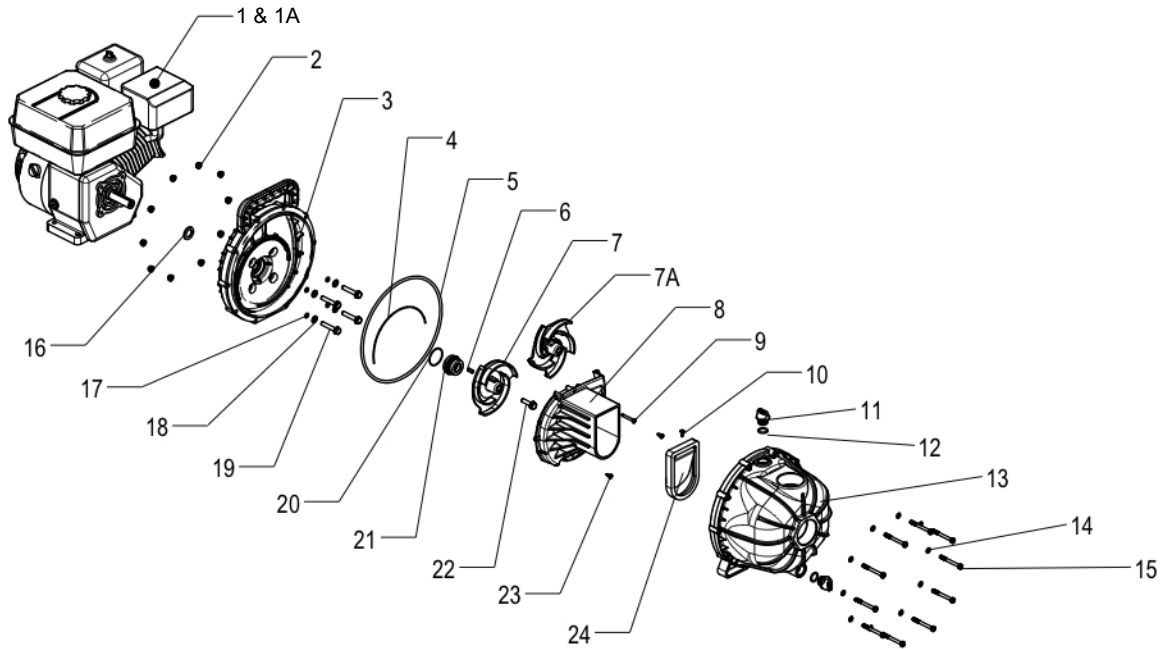


# 1542P-55SP, 1542P-65SP Gasoline Engine-Driven Plastic Transfer Pump



Seal Repair Kit 3430-0635 contains:

(1) Ref. 4 Diffuser Gasket, (1) Ref. 5 Pump Body O-Ring, (1) Ref. 20 Seal O-Ring, and (1) Ref. 21 Mechanical Seal

Viton Seal Repair Kit 3430-0659 contains:

(1) Ref. 4 Diffuser Gasket, (1) Ref. 5 Pump Body O-Ring, (1) Ref. 24 Flapper Valve, (1) Ref. 20 Seal O-Ring, and (1) Ref. 21 Mechanical Seal

Pump Head Kit 3430-0690 (1542P-55SP)  
Includes all items less 1, 1A and 7A.

Pump Head Kit 3430-0691 (1542P-65SP)  
Includes all items less 1, 1A and 7.

**Ref#      Torque Spec.**

#19        10 ft•lbs.

#22        10 ft•lbs.

#15        45 in•lbs.

REF NO.	QTY.	PART NO.	DESCRIPTION	REF NO.	QTY.	PART NO.	DESCRIPTION
1	1	2541-0043	5.5 HP GAS ENGINE (1542P-55SP)	12	2	1720-0230	O-RING
1A	1	2541-0045	6.5 HP GAS ENGINE (1542P-65SP)	13	1	0100-1540P	PUMP HOUSING
2	10	2250-0087	HEX FLANGE NUT, M6	14	10	2270-0115	FLAT WASHER
3	1	0751-1540P	MOUNTING FLANGE	15	10	2210-0141	HEX HEAD CAP SCREW
4	1	1700-0209	DIFFUSER GASKET	16	1	1410-0083	SLINGER RING
5	1	1720-0244	PUMP BODY O-RING	17	4	1720-0013	O-RING
6	1	1610-0044	KEY	18	4	2270-0114	FLAT WASHER
7	1	0400-1540P	3 VANE IMPELLER (1542P-55SP)	19	4	2210-0153	HEX HEAD CAP SCREW W/ WASHER
7A	1	0401-1540P	5 VANE IMPELLER (1542P-65SP)	20	1	1720-0231	O-RING
8	1	0150-1540P	DIFFUSER	21	1	2120-0044	MECHANICAL SEAL
9	1	2210-0144	SCREW	22	1	2210-0142	HEX HEAD CAP SCREW
10	1	2210-0152	SCREW	23	2	2210-0145	SCREW,PHILLIPS,SS
11	2	2404-0350P	FILL/DRAIN PLUG	24	1	1700-0208	FLAPPER VALVE