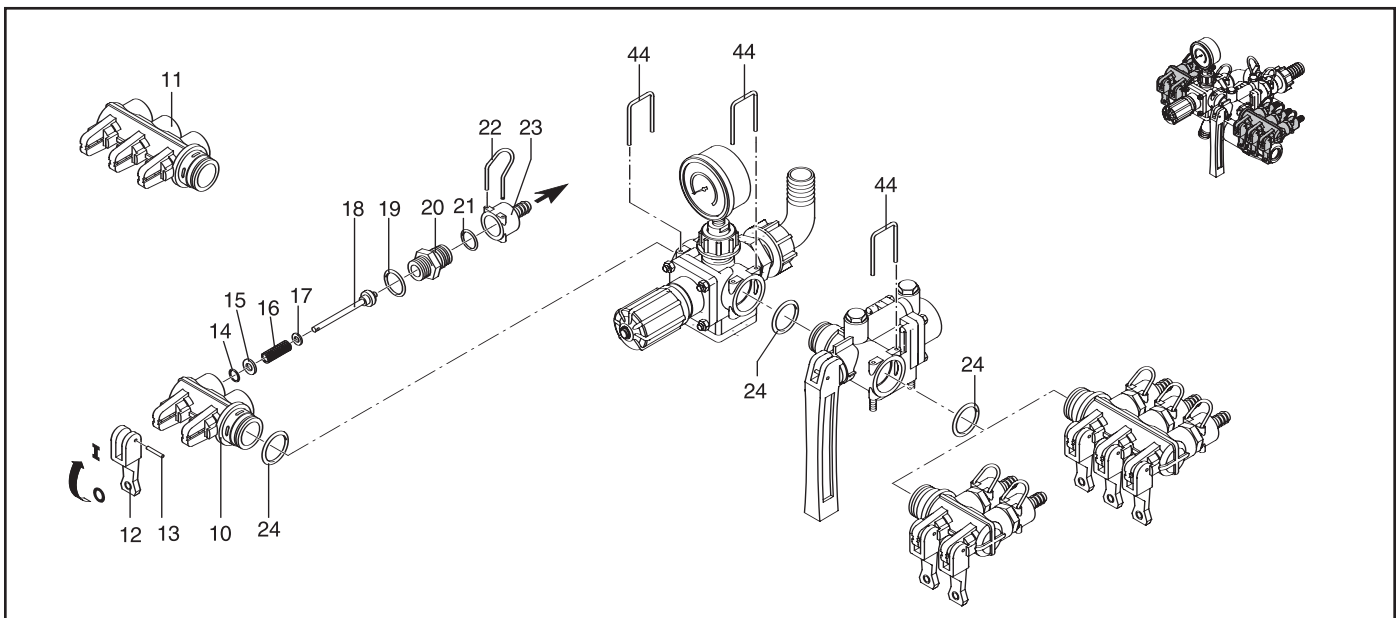
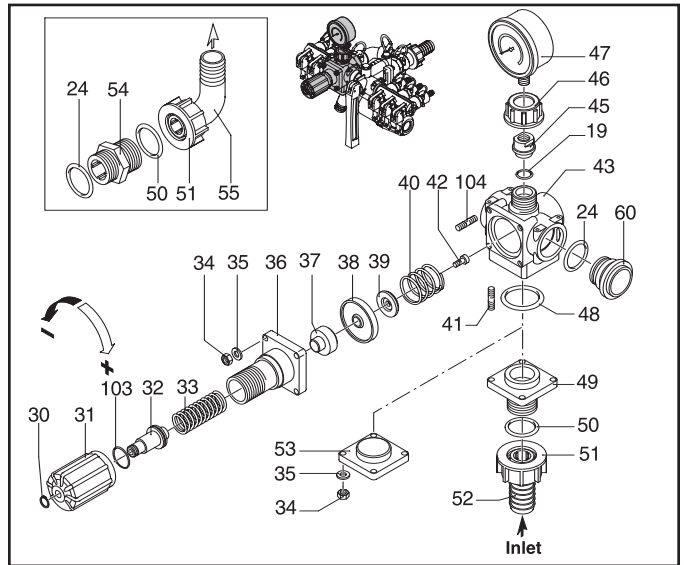
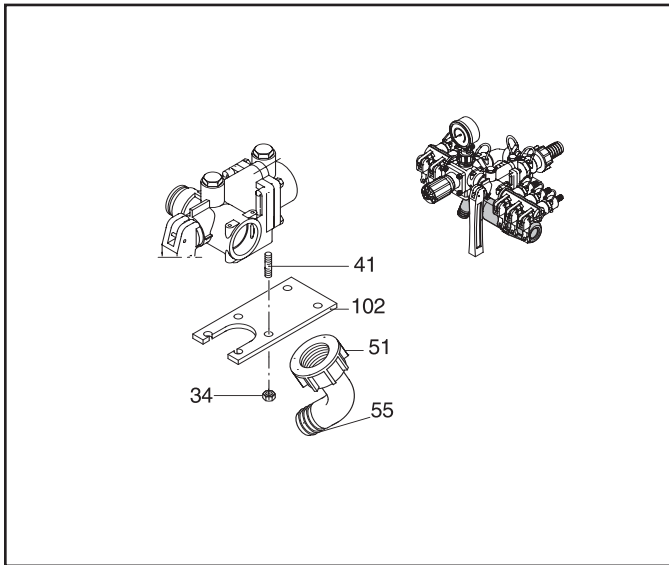
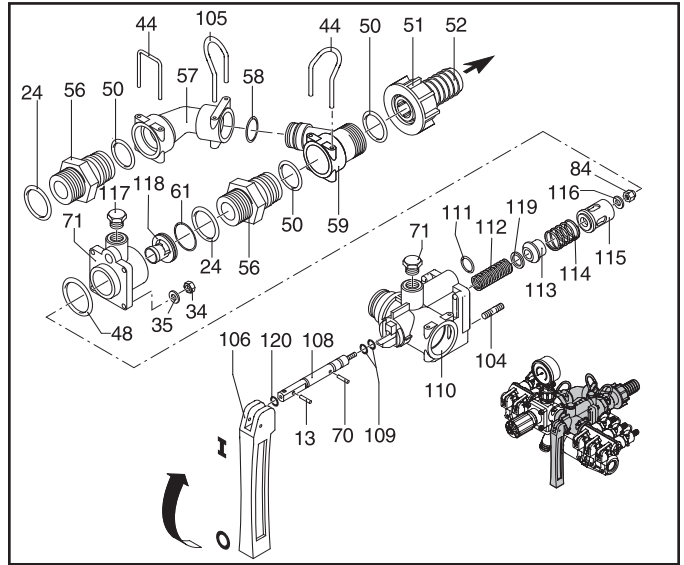
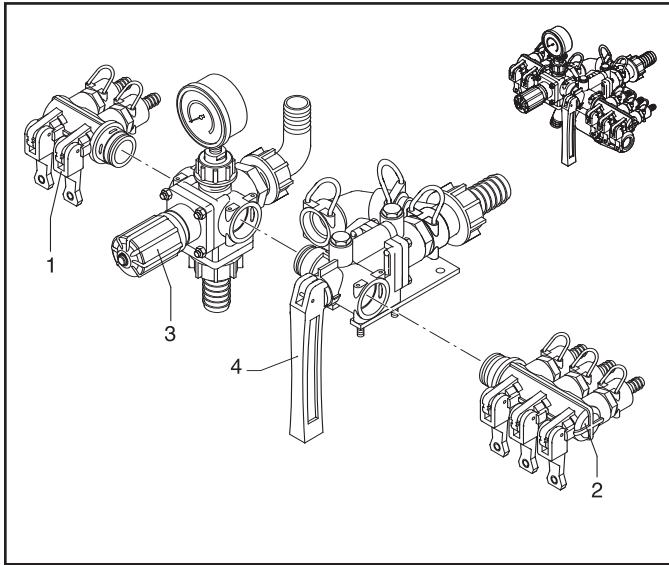


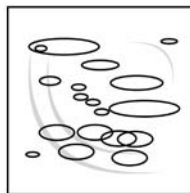
# Parts Illustrations for Models 3300-0087 and 3300-0088



## Parts List for Models 3300-0087 and 3300-0088

REF. NO.	PART NUMBER	DESCRIPTION	QTY. REQ'D
1	9910-1547	Left 2-way valve assy. (Optional)	1
2	9910-1571	Right 2-way valve assy. (Optional)	1
2	9910-1572	Right 3-way valve assy.	1
3	9910-1348	Compl.reg.valve (3300-0087)	1
3	9910-1349	Compl.reg.valve (3300-0088)	1
4	9910-1351	Bypass control assembly	1
10	9910-394850	Valve body 2 outlets	1
11	9910-394860	Valve body 3 outlets	1
12	9910-394690	Lever	4
13	9910-390330	Pin	5
14	9910-390341	O-ring	4
15	9910-390312	Lock washer	4
16	9910-390300	Spring	4
17	9910-390313	Lock washer	4
18	9910-390323	Complete valve rod	4
19	9910-180101	O-ring	5
20	9910-392600	Threaded adapter	4
21	9910-640070	O-ring	4
22	9910-392580	Clip	4
23	9910-392870	Hose barb 3/8"	4
23	9910-392590	Hose barb 1/2"	4
23	9910-392620	Hose barb 3/4"	4
24	9910-390291	O-ring	5
30	9910-480550	Retainer ring	1
31	9910-394790	Adjustment knob	1
32	9910-394770	Spring guide	1
33	9910-1040830	Spring	1
34	9910-390440	Nut	16
35	9910-550331	Washer	12
36	9910-394780	Adjustment body	1
37	9910-394750	Piston	1
38	9910-394740	Diaphragm-Desmopan	1
39	9910-394720	Valve	1
40	9910-394730	Spring	1
41	9910-394830	Stud	8
42	9910-680700	Bolt	1
43	9910-394700	Regulating valve body	1
44	9910-395530	Clip	5
45	9910-394800	Gauge adapter	1
46	9910-550450	Ring nut	1
47	9910-GG400	Pressure gauge	1
48	N/A	O-ring	3
49	9910-394810	Threaded flange	1
50	9910-550350	O-ring	4
51	9910-550242	Hose barb nut	2
52	9910-550210	Hose barb inlet 1"	2
53	9910-394840	Cover	1
54	9910-550340	Threaded adapter	1
55	9910-550370	Elbow hose barb 1"	1
56	9910-395000	Adapter	2
57	9910-395520	Bypass manifold	1
58	9910-390060	O-ring	1
59	9910-395020	Bypass adapter	1
60	9910-394870	Plug	1
61	9910-770260	O-ring	1
70	9910-392120	Pin	1
71	9910-880581	Plug	2
84	N/A	Nut	1
102	9910-394820	Mounting bracket	1
103	9910-770130	O-ring	1
104	N/A	Stud	8
105	9910-850730	Clip	1
106	9910-1660560	Control lever	1
108	9910-1660020	Complete valve rod	1
109	9910-480561	O-ring, Viton	2
110	9910-1660010	Main valve body	1

REF. NO.	PART NUMBER	DESCRIPTION	QTY. REQ'D
111	9910-1660230	O-ring	1
112	9910-1660541	Spring	1
113	9910-1660050	Feed rod valve	1
114	9910-1660090	Spring	1
115	9910-1660080	Guide	1
116	9910-393790	Washer	1
117	9910-1660060	Flange	1
118	9910-1660120	Blue seat	1
119	9910-1660140	Washer	1
120	9910-1660551	O-ring, Viton	1



### 9910-KIT2346

#### O-Ring Kit

REF. NO.	QTY.
14	5
19	7
21	5
24	5
48	3
50	4
58	1
61	1
97	1
103	1
109	2
111	1
120	1