

ProFlo Nozzle Bodies

Precision engineered for long life and reliability



The ProStop[™] air-actuated nozzle on/off valve can be used in place of a conventional DCV on the nozzle holder.

FEATURES & BENEFITS

- A choice of turret styles that can accommodate one, three or five nozzles on a holder
- Diaphragm Check Valves rated at 0.55 bar are fitted as standard. A range of other spring pressure DCVs are also available
- ProStop[™] air-actuated valve offered as an alternative to the DCV on all Hypro nozzles
- Manufactured in Polyacetal and Nylon for performance and durability. Available with EPDM or Viton[®] seals
- Hinged clamps to fit all common pipe sizes: ½, ¾, 1 inch, 20 and 25 mm
- Multi-holders allow nozzles to be quickly and easily switched for maximum spraying flexibility

Single nozzle bodies

Clamp size	EPDM (Red)	Viton (Green)
1/2"	4221N-B122	4221N-B122V
3/4"	4221N-B123	4221N-B123V
1"	4221N-B124	4221N-B124V
20 mm	4221N-B127	4221N-B127V
25 mm	4221N-B128	4221N-B128V



3-Way Nozzle Bodies

Clamp size	EPDM (Red)	Viton (Green)
1/2"	4223N-B322	4223N-B322V
3/4"	4223N-B323	4223N-B323V
1"	4223N-B324	4223N-B324V
20 mm	4223N-B327	4223N-B327V
25 mm	4223N-B328	4223N-B328V



TriJet Nozzle Bodies

Clamp size	EPDM (Red)
1/2"	4222N-B322
3/4"	4222N-B323
1"	4222N-B324



5-Way Nozzle Bodies

Clamp size	EPDM (Red)	Viton (Green)
1/2"	4223N-B522	4223N-B522V
3/4"	4223N-B523	4223N-B523V
1"	4223N-B524	4223N-B524V
20 mm	4223N-B527	4223N-B527V
25 mm	4223N-B528	4223N-B527V



Threaded single Nozzle Bodies with DCV

Clamp size	EPDM (Red)	Viton (Green)
Threaded 1/4" NPT (M)	4240N-B020	4240N-B020V



Air-actuated on/off nozzle control valve

ProStop™ can be used in place of the DCV on a ProFlo™ or EF3 nozzle holder. It is compact in design, with no diaphragm to wear and an adjustable air inlet for ease of fitting. Manufactured from PVDF, polypropylene and Viton® for performance and reliability.

- Rapid on/off nozzle control - 0.5 seconds response time to open
- Designed with piston, o-ring and double lip seals for maximum life and minimum risk of leakage. The Piston assembly is a replaceable part to extend unit life
- Fail safe 'air to open' and spring closure, stays closed at up to 10 bar liquid pressure
- Just 50 mm long with ¾" BSP threaded fitting
- Swivel push-fit 6 mm air inlet moves independently of valve body for straightforward connection to air line.
- PVDF piston and Viton® seals withstand most chemical attack
- 1-8 bar liquid pressure range. Optimum 2.5 to 5 bar



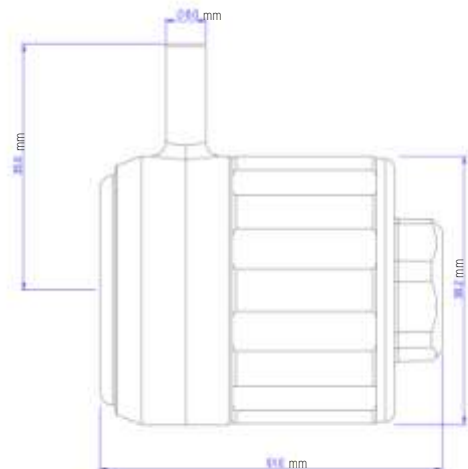
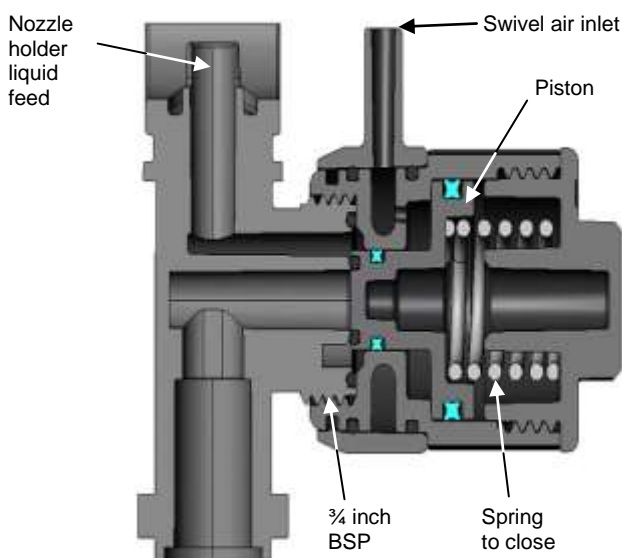
PS3/4F-PN



ProStop™ can be supplied ready fitted and leak tested to any Hypro nozzle body

Size	Part Number	Description
¾" BSP	PS3/4F-PN	ProStop pneumatic nozzle control valve
6 mm	03PM0306E	Equal push fit elbow
6 mm	03PM0206E	Equal push fit tee
6mm	03PE06040100ME	LLDPE tube 100 m coil

ProStop™ cross section and dimensions:



Replacement Diaphragm Check Valves and Seals



Seal type	Colour	DCV spring pressure	Part Number
EPDM	Orange	0.28 bar	4200-0010
EPDM	Black	0.55 bar	4200-0020
EPDM	White	0.83 bar	4200-0030
EPDM	Grey	1.38 bar	4200-0040
EPDM	Blue	1.72 bar	4200-0050
Viton	Orange	0.28 bar	4200-0010V
Viton	Black	0.55 bar	4200-0020V
Viton	White	0.83 bar	4200-0030V
Viton	Grey	1.38 bar	4200-0040V
Viton	Blue	1.72 bar	4200-0050V

Replacement Diaphragm Check Valve Seals



Seal type	Colour	Part Number
EPDM	Black	4200-0004E
Viton	Green	4200-0004V

ProStop™ replacement components



Part Number	Item
65VBS0182-17	O RING VITON 18.2 1.7M
70Q2738	PROSTOP VALVE BANJO 6MM
43Q2741	PROSTOP PISTON SUB-ASSY
3010-WR0008	CHUCK WRENCH (8MM SQ CAPACITY)
3010-EX0004	SCREW EXTRACTOR No 4



The Piston sub-assembly can easily be removed using 3010-WR0008 fitted with 3010-EX0004.