

ProStop™

Air-actuated on/off nozzle control valve



ProStop™ part number: P3/4F-PN

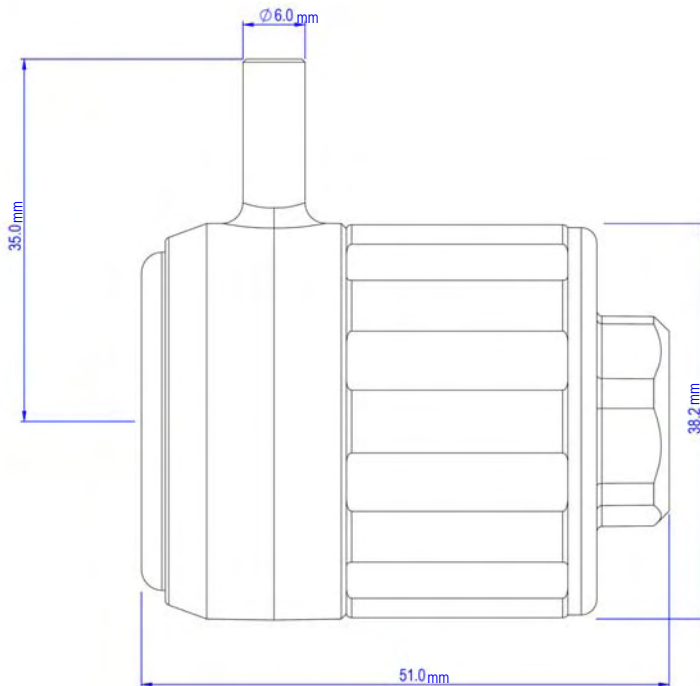
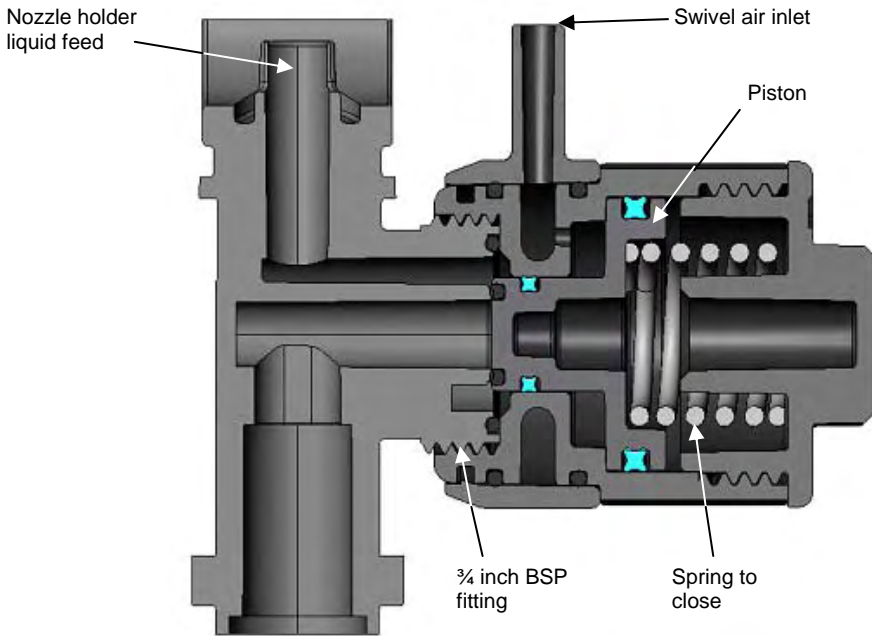
ProStop™ is a compact air-actuated (pneumatic) nozzle shut-off valve that replaces a conventional DCV on the nozzle holder. Easy to fit and durable, *ProStop™* has been designed using PVDF, polypropylene and Viton® with performance and reliability in mind.

FEATURES & BENEFITS

- Rapid on/off nozzle control—just 0.5 seconds to open
- High reliability design – Piston and o-ring with no diaphragm to wear. Double lip seals help prevent leakage
- Fail safe— uses air to open and spring closure. Remains closed up to 10 bar liquid pressure
- Compact design, 50 mm long with 3/4" BSP fitting. Easily fits *ProFlo™* and EF3 nozzle bodies supplied by Hypro
- Easy fitting of air line. Swivel push-fit 6 mm air inlet moves independently of valve body for straightforward connection to air line (4 mm adaptor also available)
- Durable PVDF piston and Viton® seals to withstand most chemicals

Can be ordered pre-fitted to Hypro's range of ProFlo nozzle holders





Hypro EU Limited, Station Road, Longstanton, Cambridge CB24 5DS, UK
 Tel: +44 (0)1954 260097 Fax: +44 (0)1954 260245 E-mail: info@hypro-eu.com
www.hypro-eu.com

Hypro LLC, 375 Fifth Avenue NW, New Brighton, MN 55112, USA
 Tel: +1 651 7666300 Fax: +1 651 7666600 E-mail: sales@hypropumps.com
www.hypropumps.com